

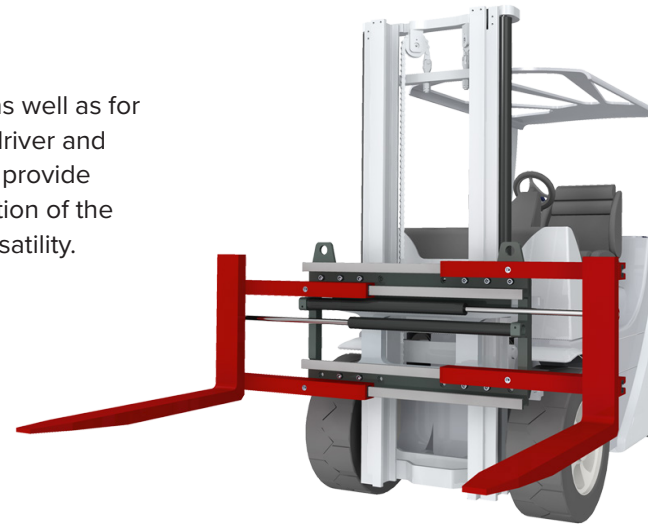
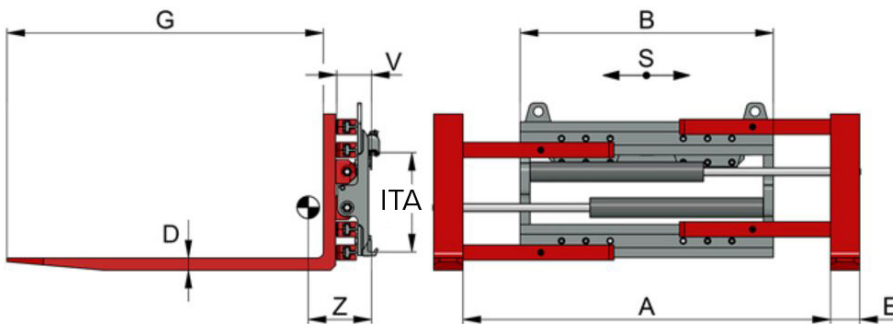
OE Attachments



FORK CLAMPS

OEA-Kaup Fork Clamps

High-Visibility Fork Clamps can be used for transporting palletized goods as well as for clamping. OEA Kaup's optimized design ensures superior visibility for the driver and allows quick and precise operation of the clamp. The compact dimensions provide stability, and the robust sliding profile decreases wear and tear. Customization of the opening ranges, frame widths, fork types, and sizes adds new levels of versatility.



Fork Clamp

Product #	Capacity Fork lb	Capacity Clamp lb	LCD in	S in	A in	B in	D in	E in	G in	ITA class	V in	Z (CofG) Hor. in	Y (CofG) Vert. in	Weight lb
MINIMUM	3,300 lb	--	--	--	1.6"	29.5"	--	--	--	II	--	--	--	--
FC-036-382-2-A	5,137 lb	3,671 lb	24"	3.9"	16.5-65.7"	38.2"	2"	4.7"	48"	II	5.4"	2.9"	9.9"	483 lb
FC-050-409-2-A	6,614 lb	5,004 lb	24"	3.9"	17.7-70.9"	40.9"	2"	5.9"	48"	III	6.1"	3.3"	10.2"	668 lb
FC-070-472-3-A	11,023 lb	7,055 lb	24"	3.9"	18.1-76.4"	47.2"	2.8"	5.9"	48"	III	6.7"	3.5"	12.7"	1,019 lb
FC-070-472-4-A	11,023 lb	7,055 lb	24"	3.9"	18.1-76.4"	47.2"	2.8"	5.9"	48"	III	6.7"	3.5"	12.7"	1,019 lb
MAXIMUM	17,000 lb	--	--	--	93.5"	86.6"	--	--	--	IV	--	--	--	--

*All dimensional sizes are nominal

Fork Options

Product #	Fork Size	Fork Size	Fork Size	Fork Size
FC-036-382-2-A	150-5-36	150-5-42	150-5-48	--
FC-050-409-2-A	2-5-36	2-5-42	2-5-48	--
FC-070-472-3-A	2-6-42	2-6-48	2-6-54	2-6-60
FC-070-472-4-A	--	--	--	--

HIGH VISIBILITY

OEA Kaup Clamps set high standards with regards to visibility. The optimized design ensures excellent visibility for the driver and allows quick and precise operation of the clamp guaranteeing high working performance and reducing the risk of accidents significantly.

HANDLING WITH OEA-KAUP CLAMPS

OEA Kaup Clamps can be supplied with sideshift function which simplifies operation for the truck driver.

The independent sideshifter system comes standard and permits sideshifting without restriction and allows utilization of the entire opening range for shifting loads laterally. All sideshift housings feature SOFTSTOP end-of-stroke slow-down.

If required, the OEA Kaup Clamp can be fitted with a valve block sideshift system which uses the residual stroke of the clamp cylinders to achieve lateral arm movement.

WIDE RANGE of SIZES and CUSTOM OPTIONS are available.

To get a quote, please call us at **913-599-9040**

OE Attachments



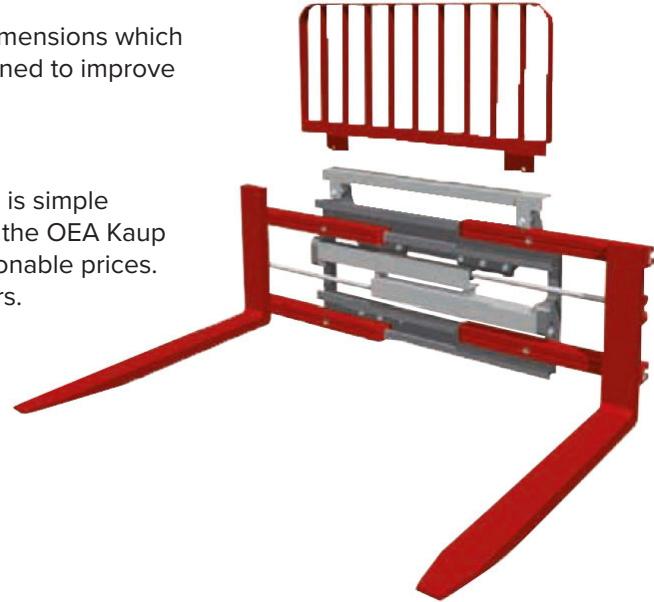
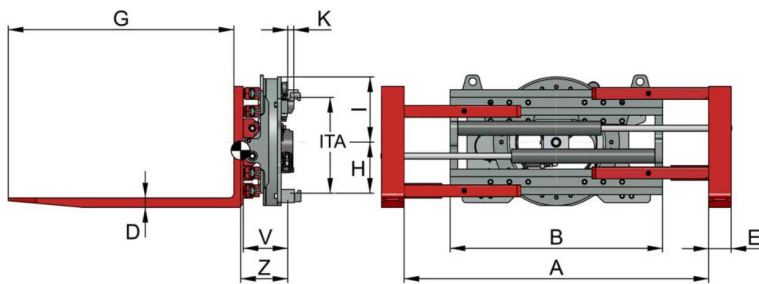
FORK CLAMPS

CLAMP PROFILE

OEA Kaup Clamps are characterized by favorable weight and compact dimensions which provides high stability. An extremely robust sliding profile has been designed to improve gliding and to reduce wear and tear between profiles.

TOP SPEED SERVICE

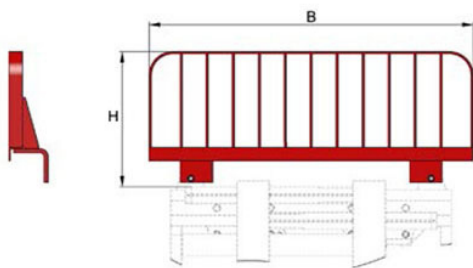
OEA Kaup Clamps are synonymous with trouble-free operation. Servicing is simple and can be executed without special skills or training. In conjunction with the OEA Kaup modular-built system, we have a large stock of replacement parts at reasonable prices. Approximately 95% of all serviceable parts can be shipped within 24 hours.



Rotating Fork Clamps

Product #	Capacity Forks	Capacity Clamp	LCD in	A in	B in	D in	E in	G in	H in	I in	K in	Ft lb @ 1812psi Torque	Gpm Per RPM GPM	ITA class	V in	Z (CofG) Hor. in	Y (CofG) Vert. in	Weight lb
MINIMUM	2,750 lb	--	--	0.8"	38.2"	--	--	--	--	--	--	--	--	--	--	--	--	--
RFC2-036-382-2-A	4,784 lb	3,671 lb	24"	16.9-66.1"	38.2"	2.0"	4.7"	48"	10.6"	18"	1.3"	2,840	1.3	II	10.5"	5.9"	10.7"	364 lb
RFC2-052-409-3-A	6,614 lb	5,291 lb	24"	17.7-70.9"	40.9"	2.0"	5.9"	48"	13.3"	15.6"	1.6"	6,601	3	III	12.2"	6.4"	13.4"	1,345 lb
RFC2-065-472-3-A	8,267 lb	6,504 lb	24"	18.1-76.4"	47.2"	2.4"	5.9"	48"	13.3"	15.6"	1.6"	6,601	3	III	12.2"	6.7"	12.5"	1,605 lb
MAXIMUM	13,200 lb	--	--	96.5"	71.1"	--	--	--	--	--	--	--	--	--	--	--	--	--

*All dimensional sizes are nominal



Fork Options

Product #	Fork Size	Fork Size	Fork Size	Fork Size
RCB2-047-382-2-X	2-5-42	2-5-48	--	--
RCB2-066-409-3-X	2-6-42	2-6-48	2-6-60	--
RCB2-082-472-3-X	250-6-42	250-6-48	250-6-54	250-6-60

Load Backrests

Product #	B	H	ITA Class	Weight
LBCB-382-2-A	38.2"	19.7"	II	53.0 lb
LBCB-409-2-A	40.9"	19.7"	II	56.9 lb
LBCB-409-3-A	40.9"	19.7"	III	56.9 lb
LBCB-472-3-A	47.2"	19.7"	III	65.6 lb
LBCB-472-4-A	47.2"	19.7"	IV	75.0 lb

WIDE RANGE of SIZES and CUSTOM OPTIONS are available.

To get a quote, please call us at **913-599-9040**