

OE Attachments



FORK POSITIONERS

OEA Kaup Fork Positioners

Fork Positioners can easily handle loads with varying widths to help meet complex material handling demands. These attachments enhance forklift versatility by allowing operators to control fork distance and handling capacity from the driver's seat. Fork Positioners also significantly reduce the risk of accidents by providing the correct support base for the load.

Standard Model

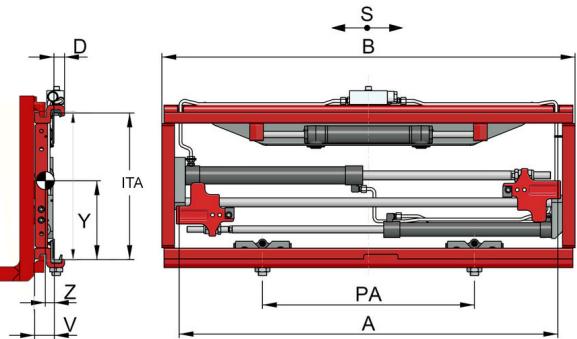
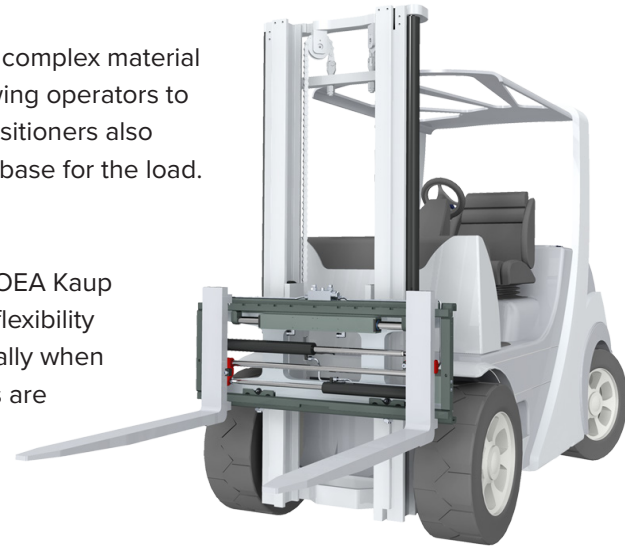
The demands on material handling tasks are increasingly more complex. OEA Kaup Fork Positioners accommodate these requirements, as they increase the flexibility and profitability with more handling capacity of every forklift truck, especially when the width of the load changes constantly. For this reason, Fork Positioners are the most frequent attachment found on forklift trucks after Sideshifters.

OEA Kaup offers a large variety of Fork Positioners suitable for every transportation and operational task.

OEA Kaup Fork Positioners are also (in some cases) available as an integrated version with even better residual capacity.

Features & Benefits:

- » QUICKSEAL-sideshift cylinder design for quick and easy exchange of seal kits without the need for tools
- » Hydraulic-synchronization of fork adjustment
- » Drillings in carriers for accommodating different fork widths
- » Greasable, highly wear-resistant EASYSLIDE sliding pads that move with ease



Fork Positioner Standard Model SSFPB

Product #	Capacity lb	LCD in	S in	A in	B in	D in	PA in	Fork width in	ITA class	V in	Z (CofG) Hor. in	Y (CofG) Vert. in	Weight lb
MINIMUM	5,500 lb	--	35"	11.4"	--	--	--	--	II	--	--	--	--
SSFPB-055-370-2-A	5,512 lb	24"	3.9"	12.8-32.9"	37.0"	1.1"	23.2"	2.8-4.9"	II	2.2"	0.9"	8.5"	137 lb
SSFPB-055-409-2-A	5,512 lb	24"	3.9"	12.2-37.2"	40.9"	1.1"	23.2"	2.8-4.9"	II	2.2"	0.9"	8.5"	198 lb
SSFPB-066-409-3-A	6,614 lb	24"	3.9"	15-37.2"	40.9"	1.5"	23.6"	3.9-5.9"	III	2.5"	1.1"	10.7"	258 lb
SSFPB-066-490-3-A	6,614 lb	24"	3.9"	13.8-45.3"	49.0"	1.5"	23.6"	3.9-5.9"	III	2.5"	1.1"	10.7"	265 lb
SSFPB-101-490-3-A	10,141 lb	24"	3.9"	13.8-45.3"	49.0"	1.6"	23.6"	3.9-5.9"	III	3.2"	1.9"	13.4"	399 lb
MAXIMUM	11,000 lb	--	53"	49.5"	--	--	--	--	III	--	--	--	--

*All dimensional sizes are nominal

WIDE RANGE of SIZES and CUSTOM OPTIONS are available.

To get a quote, please call us at
913-599-9040

913.599.9040 | OEAttachments.com



OE Attachments

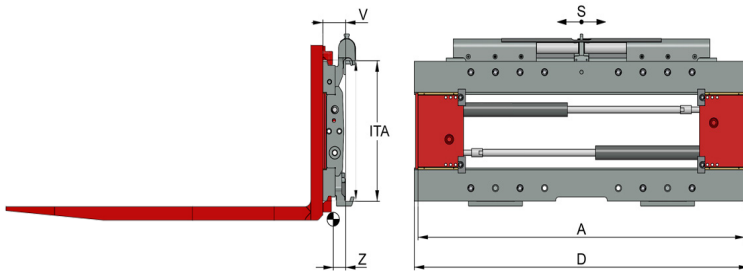
**FORK
POSITIONERS**



Heavy Duty Model

This Fork Positioner has an independent sideshift and is completely symmetrical in fork adjustment. The original forklift forks can be used. The construction width, and therefore, the opening range of the attachment is not dependent on the width of the fork carriage of the forklift truck. This product is also available without sideshift function.

- » Sideshift function end-of-stroke slow-down **SOFTSTOP** and roller guided lateral displacement **SMOOTHROLL**
- » Asymmetrically drilled stop blocks for locking of forks with varying widths
- » Construction width and adjusting range are not dependent on the width of the basic fork carriage. Optional widths greater than 118 possible upon request
- » Original forks can be used (63" long - up to 95" possible with wider fork brackets)



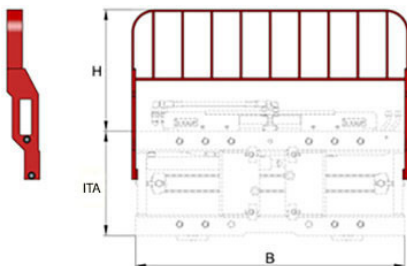
**WIDE RANGE of SIZES and
CUSTOM OPTIONS** are available.

To get a quote, please call us at
913-599-9040

Fork Positioner Heavy Duty Model SSFPSN2

Product #	Capacity lb	LCD in	S in	A in	D in	Fork width in	ITA class	V in	Z (CofG) Hor. in	Y (CofG) Vert. in	Weight lb
MINIMUM	5,500 lb	--	--	13.8"	32.6"	--	III	--	--	--	--
SSFPSN2-110-630-3-A	11,023 lb	24"	3.9"	15.4-61.8"	63"	3.5--6.3"	III	4.4"	2.7"	12.9"	814 lb
SSFPSN2-176-630-4-A	17,637 lb	24"	6.3"	18.5-57.9"	63"	5.9--7.9"	IV	4"	2"	14.8"	1,041 lb
SSFPSN2-176-787-4-A	17,637 lb	24"	6.3"	20.9-78"	78.7"	5.9--7.9"	IV	4"	2.3"	14.6"	1,213 lb
MAXIMUM	17,600 lb	--	--	93.7"	94.5"	--	IV	--	--	--	--

*All dimensional sizes are nominal



Load Backrest models

Product #	B	H	Class ITA	Weight
LBSSFPB-370-2-A	37"	18.5"	II	59.5 lb
LBSSFPB-409-2-A	40.9"	18.5"	II	66.1 lb
LBSSFPB-409-3-A	40.9"	16.9"	III	75.0 lb
LBSSFPB-490-3-A	49"	16.9"	III	82.0 lb
LBSSFPB-530-3-A	53"	16.9"	III	88.8 lb
LBSSFPSN2-630-3-A	63"	16.9"	III	105.6 lb
LBSSFPSN2-630-4-A	63"	28.7"	IV	219.2 lb
LBSSFPSN2-787-4-A	78.7"	28.7"	IV	274.1 lb

Fork Options

Product #	Fork Size	Fork Size	Fork Size	Fork Size	Fork Size
SSFPB-055-370-2-A	150-5-36-2	150-5-42-2	150-5-48-2	150-5-54-2	150-5-54-2
SSFPB-055-409-2-A	150-5-36-2	150-5-42-2	150-5-48-2	150-5-54-2	150-5-54-2
SSFPB-066-409-3-A	175-5-36-3	175-5-42-3	175-5-48-3	175-5-54-3	175-5-60-3
SSFPB-066-490-3-A	175-5-36-3	175-5-42-3	175-5-48-3	175-5-54-3	175-5-60-3
SSFPB-101-490-3-A	2-5-42-3	2-5-48-3	2-5-54-3	2-5-60-3	--
SSFPSN2-110-630-3-A	2-6-42-3	2-6-48-3	2-6-54-3	2-6-60-3	--
SSFPSN2-176-630-4-A	225-6-48-4	225-6-54-4	225-6-60-4	225-6-72-4	--
SSFPSN2-176-787-4-A	225-6-48-4	225-6-54-4	225-6-60-4	225-6-72-4	--