

OE Attachments



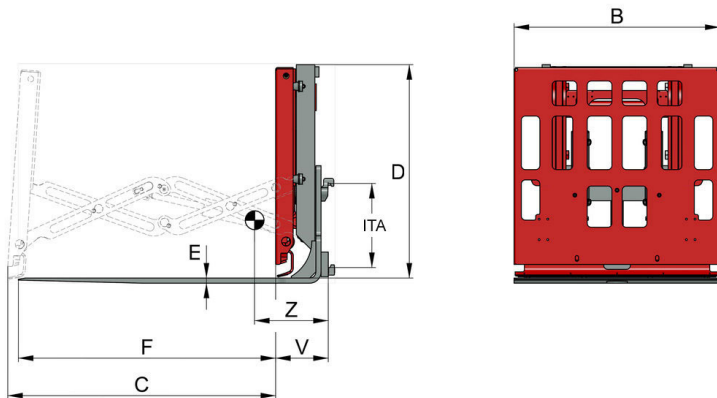
**PUSH
PULLS**

OEA Kaup Push-Pulls

Push-Pulls replace traditional pallets with inexpensive slipsheets (usually made of plastic or cardboard) when shipping and receiving warehouse loads. This makes, for example, economical loading of overseas containers feasible. Push-Pulls are typically used for bagged products like seed, agricultural products, cosmetics, and cased food.

OEA Kaup's Push-Pull is versatile in that it can be used with or without a pallet saver, with a separate sideshifter, or with a hydraulically-adjustable carrying platen. The range includes a slip-on version which can easily be fitted on forks of all sizes.

OEA Kaup's range of Push-Pulls are designed with a scissor system so that the pushing mechanism is self-supporting. Another advantage is the hydraulic system; all hydraulic cylinders have been optimized to the required application guaranteeing safe handling of the load. Finally, the use of plastic sliding bushes makes the bearings of the scissor system maintenance-free.



OEA Kaup state-of-the-art Push-Pulls are available in different versions

- » with or without pallet saver
- » with separate sideshifter
- » with hydraulically-adjustable carrying platen

Push-Pulls

Product #	Capacity lb	LSP in	B in	C in	D in	E in	F in	ITA class	V in	Z (CofG) Hor. in	Y (CofG) Vert. in	Weight Lbs
MINIMUM	2,200 lb	--	--	--	--	--	--	--	--	--	--	--
PPFM-037-1548-2-A	3,748 lb	24"	39.4"	50"	40.7"	0.4"	48"	N/A	8.5"	10.1"	14.1"	990 lb
PPCM-037-1548-2-A	3,748 lb	24"	39.4"	50"	40.7"	1"	48"	II	10.2"	13"	10.9"	1,226 lb
MAXIMUM	5,280 lb	--	--	--	--	--	--	--	--	--	--	--

*All dimensional sizes are nominal

WIDE RANGE of SIZES and CUSTOM OPTIONS are available.

To get a quote, please call us at
913-599-9040

913.599.9040 | OEAttachments.com



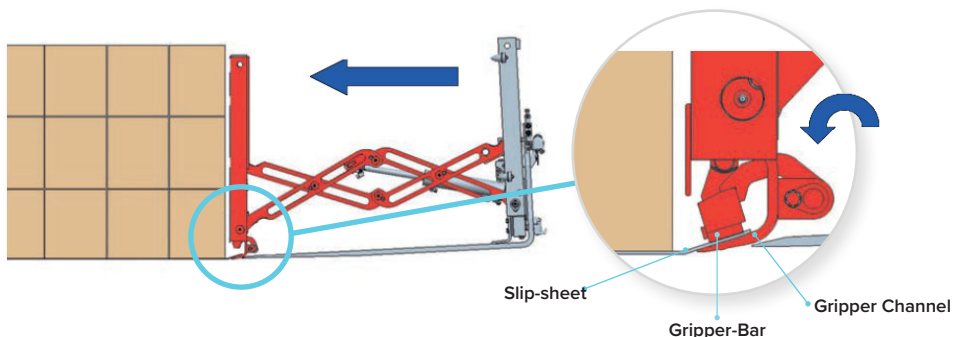
OE Attachments

**PUSH
PULLS**

OE KAUP

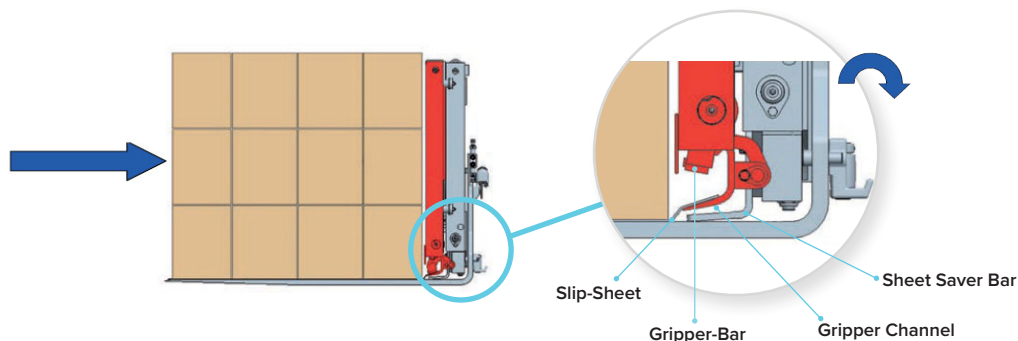
Step 1

Approach the load until the flap fits into the gripper channel and grip the slip-sheet.



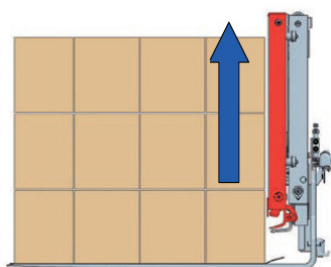
Step 2

Pull the slip-sheet and load onto the platen and release the flap.



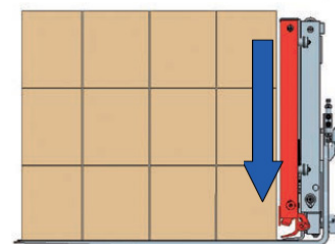
Step 3

Slip-sheet saver bar is raised



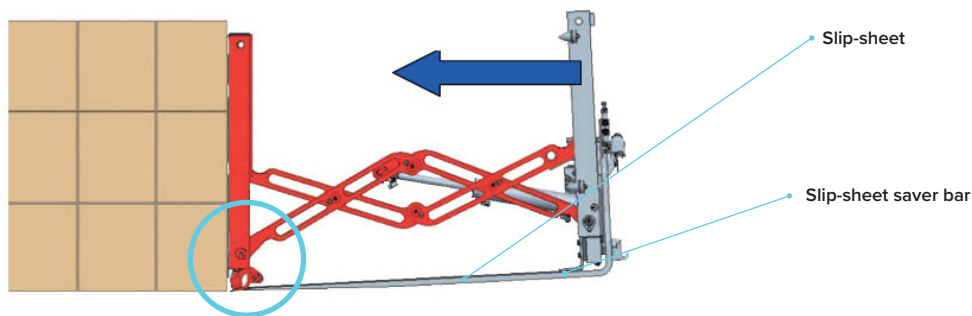
Step 4

Slip-sheet saver bar is lowered and presses down the slip-sheet



Step 5

Load is pushed off whilst the slip-sheet remains on the platen



LOAD BACKREST available



CONTACT US FOR DETAILS

913.599.9040 | OEAttachments.com

OE KAUP