



# SIDESHIFTERS

---

## INDUSTRIES

---



## FUNCTIONS

---

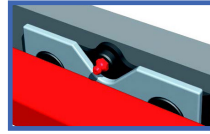
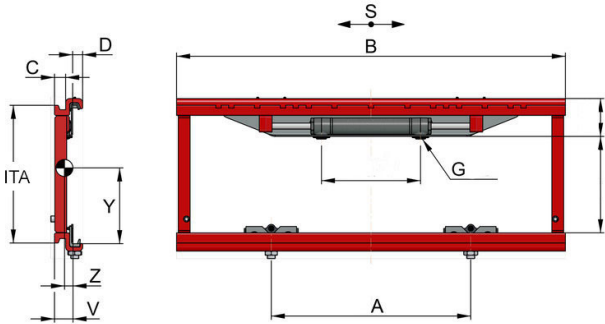
- Sideshifting
- Lifting



The OEA Kaup Sideshifter allows for lateral shifting of the load. This enables drivers to position goods horizontally with precision and increases the overall efficiency of the forklift. Standard and high-capacity models are available.

## FEATURES & BENEFITS

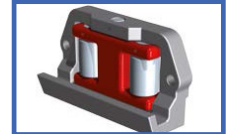
- Optimized lost load center: industry-leading residual capacity
- Operational efficiency: simple installation; minimal service required with no need for special tools; piston rods protected



**EASYSIDE**  
5,500 LB



**EASYGLIDE**  
6,500 LB

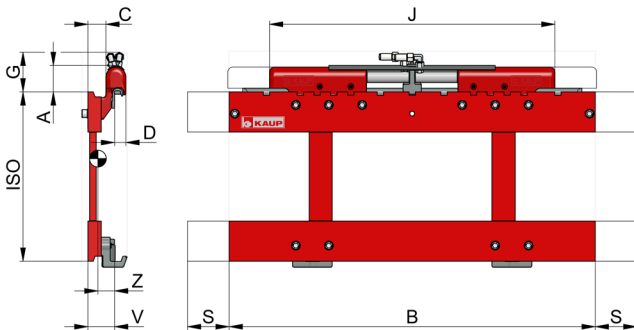


**SMOOTHROLL**  
10,000 LB

Standard Sidsifter	Capacity lb	LCD in	B in	A in	C in	D in	S in	ITA Class	V in	CofG Z	CofG Y	Weight lb
<b>MINIMUM</b>	<b>5,500 lb</b>	--	<b>35"</b>	--	--	--	--	<b>II</b>	--	--	--	--
SSP5-055-370-2-A	5,512 lb	24"	37"	23.2"	1.3"	1.1"	+/- 3.9"	II	2.2"	0.9"	8.5"	137 lb
SSP5-055-409-2-A	5,512 lb	24"	40.9"	23.2"	1.3"	1.1"	+/- 3.9"	II	2.2"	0.9"	8.5"	146 lb
SSP5-066-370-3-A	6,614 lb	24"	37"	23.6"	1.7"	1.5"	+/- 3.9"	III	2.5"	0.9"	11.4"	159 lb
SSP5-066-409-3-A	6,614 lb	24"	40.9"	23.6"	1.7"	1.5"	+/- 3.9"	III	2.5"	0.9"	11.3"	172 lb
SSP5-066-451-3-A	6,614 lb	24"	45.1"	23.6"	1.7"	1.5"	+/- 3.9"	III	2.5"	0.9"	11.3"	181 lb
SSP5-101-490-3-A	10,141 lb	24"	49"	23.6"	2.1"	1.6"	+/- 3.9"	III	3.2"	1.4"	10.5"	269 lb
<b>MAXIMUM</b>	<b>11,000 lb</b>	--	<b>55.1"</b>	--	--	--	--	<b>III</b>	--	--	--	--

All dimensional sizes are nominal

Other sizes available upon request.



## HIGH CAPACITY MODEL

All sidsifter components such as housings, pistons and brackets are identical in design to those used in other OEA Kaup attachments with additional sidsifting function. Component consistency keeps maintenance easy and simplifies any needed repairs.

High Capacity Sidsifter	Capacity lb	LCD in	A in	B in	C in	D in	S in	G in	J in	ITA Class	V in	CofG Z	CofG Y	Weight lb
<b>MINIMUM</b>	<b>5,500 lb</b>	--	--	<b>35"</b>	--	--	--	--	--	<b>II</b>	--	--	--	--
SSP2-110-610-3-A	11,023 lb	24"	4.1"	61"	1.7"	1.7"	+/- 3.9"	6.5"	36.3"	III	3.6"	2"	11.8"	531 lb
SSP2-110-720-3-A	11,023 lb	24"	4.1"	72"	1.7"	1.7"	+/- 3.9"	6.5"	36.3"	III	3.6"	2.1"	11.8"	569 lb
SSP2-176-858-4-A	17,637 lb	24"	4.4"	85.8"	2.4"	2.1"	+/- 6.3"	8.3"	54.8"	IV	4"	2.2"	14.2"	983 lb
<b>MAXIMUM</b>	<b>17,600 lb</b>	--	--	<b>137.8"</b>	--	--	--	--	--	<b>IV</b>	--	--	--	--

All dimensional sizes are nominal

Other sizes available upon request.

