



APPLIANCE AND CARTON CLAMPS

INDUSTRIES



FUNCTIONS

Clamping
Lifting

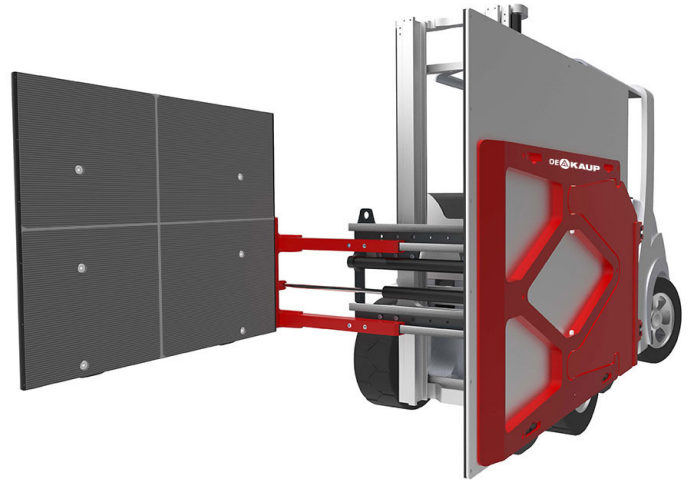


OEA Kaup's Appliance and Carton Clamps are used worldwide to transport heavy appliances and consumer electronics. The replaceable wear pads offer additional protection of the clamp. Appliance and Carton Clamps are also available in rotating versions.

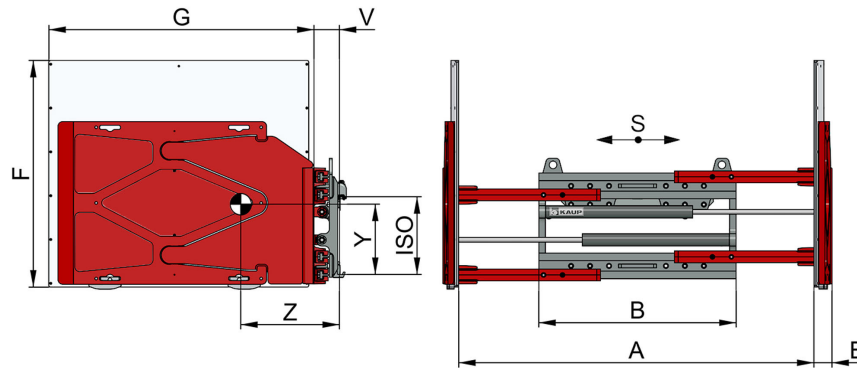
FEATURES & BENEFITS

- **Interchangeable pads:** 4-piece design allows user to rotate pads to extend life; several pad options to meet specific application demands
- **Straightforward installation:** attachment is mounted on guide rail and hydraulic hose lines are connected, without the need for special tooling or excessive downtime
- **Ease of use for operator:** high visibility, end-of-stroke slowdown (Softstop) and equal distribution of clamping pressure allow operator to focus on the load, without having to worry about the attachment

ALL APPLIANCE
and Carton Clamps
INCLUDE 4-piece
pads on both arms



Appliance and Carton Clamps are designed with operators in mind: optimal visibility, ease of installation and minimal maintenance. The four-piece pad design allows for rotation of the pads to extend clamp life.



Carton & Appliance Clamps	Capacity lb	LCD in	S in	B in	G in	E in	F in	A in	ITA Class	V in	CofG Z	CofG Y	Weight lb
MINIMUM	2,500 lb	--	--	--	--	--	--	--	II	--	--	--	--
CGB1-025-4848-2-A	2,501 lb	24"	VBSS	42.5"	49.2"	2.2"	47.2"	22-77.2	II	5.5"	18.2"	14.4"	1,529 lb
CGB1-036-4848-2-B	3,674 lb	24"	VBSS	42.5"	49.2"	2.4"	47.2"	22.8-78	II	5.5"	18.5"	14.4"	1,626 lb
CGB1-036-4848-3-B	3,674 lb	24"	VBSS	42.5"	49.2"	2"	47.2"	22.8-78	III	5.5"	18.5"	14.4"	1,626 lb
MAXIMUM	17,000 lb	--	--	--	--	--	--	--	III	--	--	--	--

All dimensional sizes are nominal. *VBSS Valve Block Sideshift.

Other sizes available upon request.

